

KINELEC

POE SMPS Adapter

POESMPS1



Features :

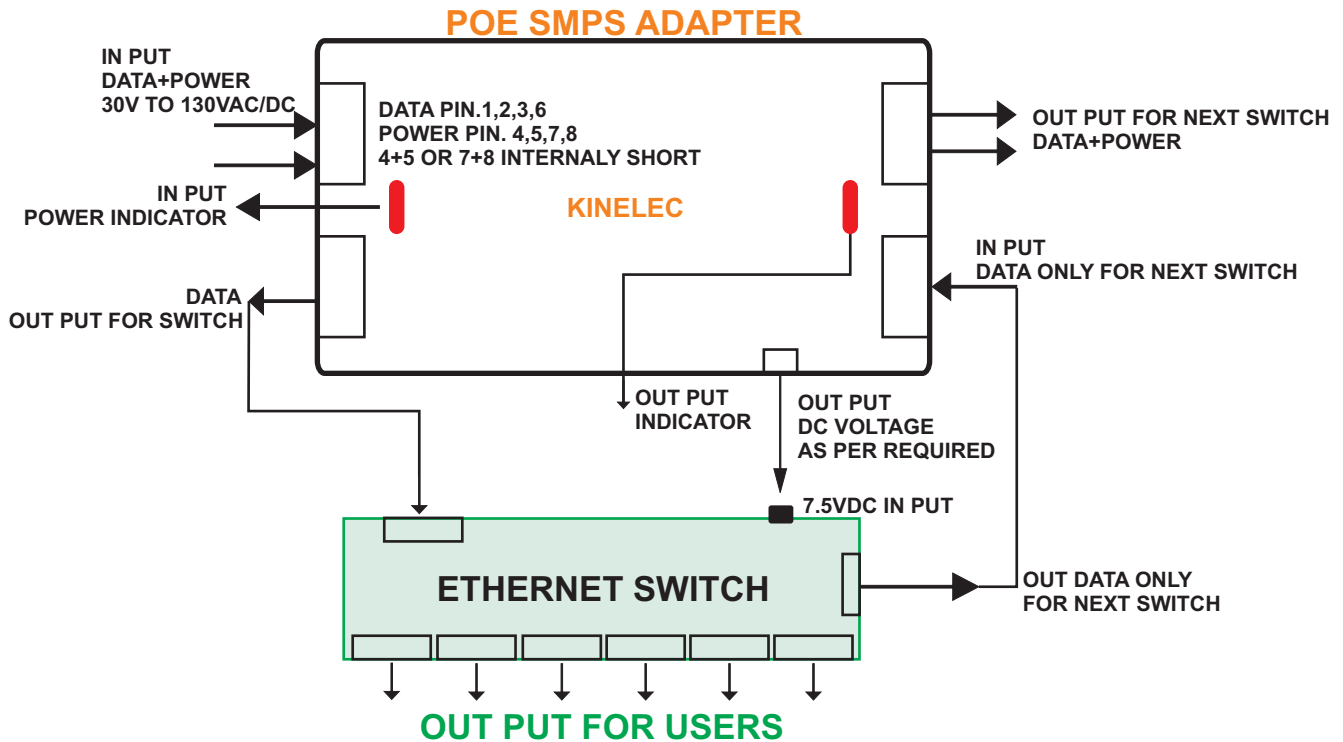
- Input Voltage Range 30-130VAC
- Input Voltage Range 40-60VDC
- Protections: Short circuit, overload, over voltage, CC, CV, isolated output
- Output available 3.2-24VDC
- Rugged Plastic Body
- Out put lead with DC pin as required
- 1 year warranty

RJ 45 SOCKET

POE SMPS ADAPTER

Dimension 86 x 49 x 39 mm (L- W - H)

Wt. 128 gms. (Approx)



This POE SMPS adapter is very useful for networking like if you want to distribute some connections indoor or outdoor you can use this device as DC-DC adapter to use this adapter you can save your power cable because in this device power runs in data cable for power it use's two pairs (4,5) (7,8) to use this device you can save power cable & man power the adapter operates with AC-DC power or output you can take as required.